

PRODUCT SPECIFICATION

A1101A - Actuator, Standard

Description:
Hydraulic Trim Tab Actuator for Bennett Trim Tab Systems

Specifications:

Mechanical:

Material	GF Nylon
Hydraulic Fluid	ATF
Mounting Hardware:	
Upper Hinge	#14 x 1-1/2" Sheet Metal Screws
Lower Hinge	1/4-20 Pan Head Screws
Fluid Port	1/8NPT

Working Forces:

Actuation Force	700lbs @ 350psi
-----------------	-----------------

Pressures:

Working Pressure	350psi
------------------	--------

Stroke:

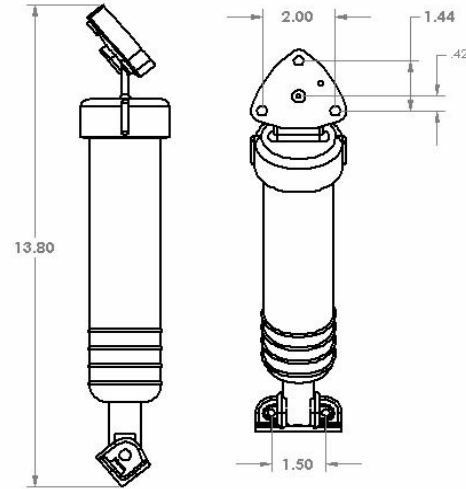
Standard Stroke Length	2.5in
Max Stroke Length	3.5in

Mounting Positions

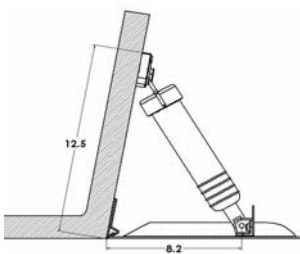
Recommended Mounting Angle	40°-50°
Max Mounting Angle	90°
Min Mounting Angle	0° (with spacing block)

Options:

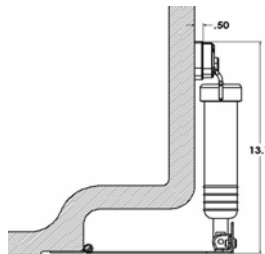
Position Sensors	
Range	0-2.5in
Resistance	230Ω
Connectors	2 position Micro Mate-N-Lock
Extended Stroke Length	3.5in Max
Reduced length	1in Reduction
Retention Device	304 SS for backing down protection
Mounting Spacers	3/8" Nylon spacer block
Pipe Nipples	1/8"NPT 2.0 - 6.0in lengths



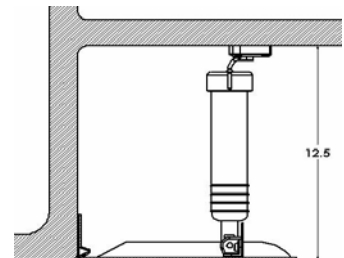
CAD Files: IGES, easm



Standard Actuator Position



Min Mounting Angle



Max Mounting Angle

PRODUCT SPECIFICATION

A120S - Actuator, *Sal*

Description:

Hydraulic Trim Tab Actuator for Bennett Trim Tab Systems

Specifications:

Mechanical:

Material	GF Nylon
Hydraulic Fluid	ATF
Mounting Hardware:	
Upper Hinge	#14 x 1-1/2" Sheet Metal Screws
Lower Hinge	1/4-20 3/4" Pan Head Screws
Fluid Port	1/8NPT

Working Forces:

Actuation Force 700lbs @ 350psi

Pressures:

Working Pressure 350psi

Stroke:

Standard Stroke Length 2.25in
Max Stroke Length 3.25in

Mounting Positions

Recommended Mounting Angle 40°-50°
Max Mounting Angle 90°
Min Mounting Angle 0° with spacing block

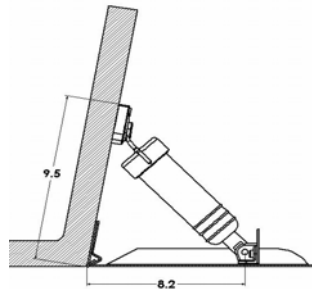
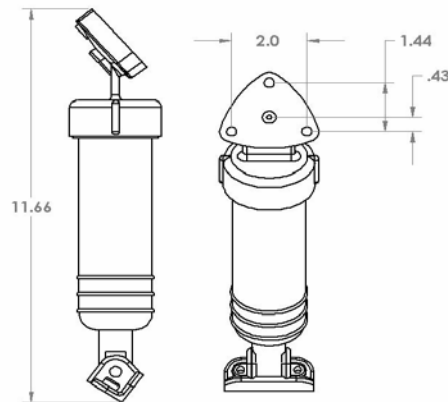
Options:

Position Sensors 0-2.5in
Range 230Ω
Resistance 2 position Micro Mate-N-Lock
Connectors

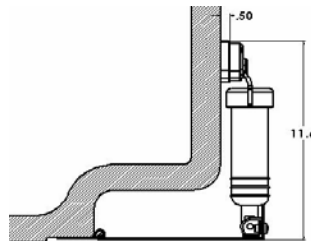
Extended Stroke Length 3.25in Max
Reduced length .775in Reduction
Mounting Spacers 3/8" Nylon spacer block
Pipe Nipples 1/8"NPT 2.0 - 6.0in lengths

CAD Files:

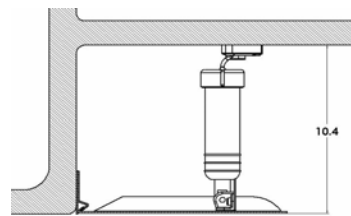
IGES, easm



Standard Actuator Position



Min Mounting Angle



Max Mounting Angle